

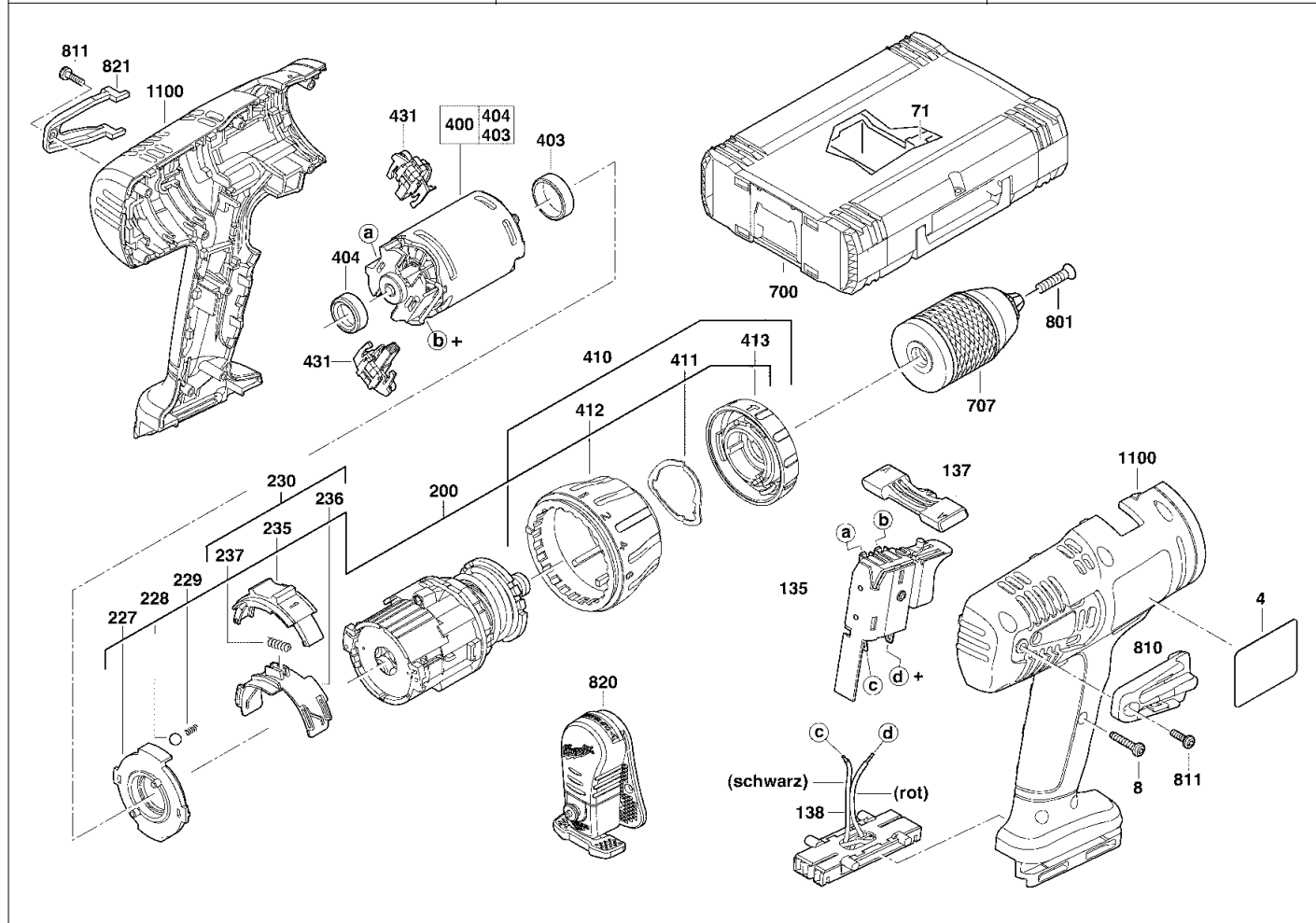
A & M Electric Tools

Battery Tools

Ind	Product No.	Type	Voltage	Country
a	4000401191	P12TXC	12V	***

Ind	Product No.	Type	Voltage	Country

Milwaukee			
P 12 TXC			
Exp.view No.	Version	Date	Page
4926 4011 94	0001	07.12.05	1/1



Pos	Index	Quanti	Article No.	Designation
0004	a.....	1	4931401195	RATING PLATE
0008	a.....	9	4931622708	SCREW
0071	a.....	1	4931390334	INSERT
0135	a.....	1	4931400349	SWITCH BOARD
0137	a.....	1	4931389820	SLIDING SWITCH
0138	a.....	1	4931388199	WIRE
0200	a.....	1	4931389844	GEAR BOX
0227	a.....	1	4931389825	BEARING END PLATE
0228	a.....	1	4931805413	BALL
0229	a.....	1	4931388194	PRESSURE SPRING
0230	a.....	1	4931389821	LEVER
0235	a.....	1	4931389822	SLIDING SWITCH
0236	a.....	1	4931389823	CRANK
0237	a.....	1	4931389824	PRESSURE SPRING
0400	a.....	1	4931390760	MOTOR
0403	a.....	1	4931363798	RUBBER SLEEVE
0404	a.....	1	4931332388	RUBBER SLEEVE
0410	a.....	1	4931389650	JUMPER RING
0411	a.....	1	4931389522	SPRING WASHER
0412	a.....	1	4931389520	JUMPER RING
0413	a.....	1	4931389521	JUMPER RING
0431	a.....	1	4931390341	BRUSH HOLDER PAIR

Pos	Index	Quanti	Article No.	Designation
0700	a.....	1	4932378986	CARRYING CASE
0707	a.....	1	4932371913	QUICK ACTION CHUCK
0801	a.....	1	4931401643	LOCKING SCREW
0810	a.....	1	43720455	BIT HOLDER
0811	a.....	2	4931390671	SCREW
0820	a.....	1	42705005	HOLDER
0821	a.....	1	43720300	HOLDER
1100	a.....	1	4931390580	HOUSING

Repairs/modification and testing of electric power tools are to be carried out by specialists. The safety regulations according to DIN/VDE/CEE/AFNOR and other regulations valid in the different countries are to be observed.